

Temp-Pro™ & Temp-Master®

INSULATED ROLLING DOORS



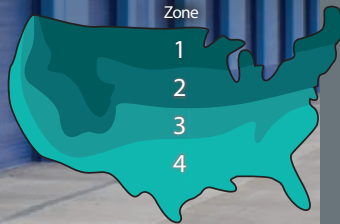
ENVIRONMENTAL SEPARATION

Temp-Pro and Temp-Master doors pay for themselves based on model and climatic zone.²

Zone	Annual Savings	Payback Years	Zone	Annual Savings	Payback Years
1	\$972	2.0	1	\$413	1.0
2	\$775	2.6	2	\$329	1.2
3	\$593	3.3	3	\$252	1.6
4	\$488	4.1	4	\$207	2.0

Temp-Master compared to a Standard Service Door

Temp-Master compared to a Standard Insulated Door



Temp-Pro Insulated Rolling Doors: A Proven System to Reduce Energy Losses

Temp-Pro Insulated Rolling Doors are designed for exterior openings where maintaining different temperatures on each side of the door is desirable. The full perimeter seal of these energy efficient doors also reduces sound transmission as compared to non-insulated rolling doors, and most standard Temp-Pro doors can be manufactured and shipped in one to two weeks.

Temp-Master Insulated Rolling Doors: A System For Maximum Insulation and Compliance with ASHRAE® 90.1 and IECC® 2012 Air Infiltration Requirements

Temp-Master Insulated Rolling Doors have an independently tested value of less than .4 CFM/FT² and provide an 94% decrease in air infiltration versus standard products.¹ Recycled content values and LEED® credits are available for each door, and Temp-Master components are easily recyclable once it reaches the end of its useful life.

Special Applications

ASHRAE 90.1³ and IECC 2012 Air Infiltration Compliance: Achievable with Temp-Master

Specified Wind Load: Doors can be configured to withstand the full range of specific wind load requirements. Performance validated through third party testing.

High-Cycle Construction: When doors are expected to operate more than 20 cycles/day

Combination Doors: Combine two different curtains on the same opening.

Typically an insulated door is used in conjunction with either a perforated screen door or an open design rolling grille when ventilation is required.

Sloping or Irregular Sills: Special bottom bar designs can meet odd floor conditions including slopes, curbs or rails.

Pass Doors: Hollow metal man door and hinged frame available within a Temp-Pro curtain.

Removable Guide Mullions: For wide openings requiring full access on a limited basis.

Benefits

- Climate control and security
- Compact storage
- Durable and sustainable
 - Little or no maintenance
 - Low life cycle cost
 - Size flexibility: Built to order

Applications

- Distribution
- Education
- Healthcare
- Hospitality/Public Space
- Industrial
- Retail

Options

- 1 or 2 way vision windows
- Custom graphics on door
- Cylinder or slide bolt locking
- Entrapment protection
- Motor operation
- Powder coat finish
- Project specific wind load



Test results available upon request.

1. Calculated using data from an ASHRAE research report for standard rolling doors. 2. Calculations based on a 12' x 12' door; upgrading from a Standard Service Door to Temp-Master or upgrading from a Standard Insulated Door to Temp-Master. 3. Requires Face of Wall mounting configuration.

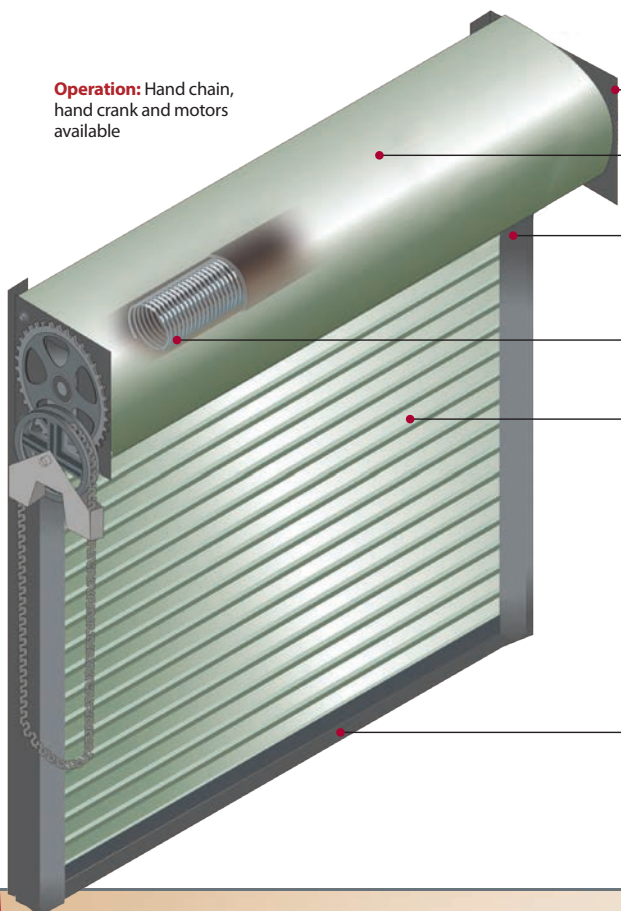
COOKSON
THE COOKSON COMPANY, INC.

Temp-Pro™ & Temp-Master®

INSULATED ROLLING DOORS



Operation: Hand chain, hand crank and motors available



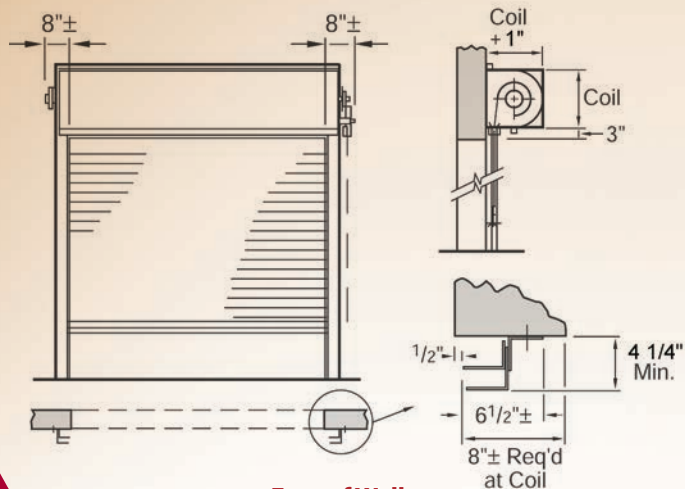
COMPONENTS

- **Brackets:** Minimum 3/16" steel plates bolt to the guide assembly and support shaft and curtain
Standard Material & Finish: Steel with ColorCote™ powder coating in bronze, gray, tan or white
- **Hood:** Protective sheet metal enclosure for curtain provides weather resistance and keeps brackets rigid
Standard Material and Finish: Galvanized steel with exclusive FinalCote™ finish in gray, tan or white
Optional Material: Aluminum, Stainless steel
- **Guides:** Minimum 3/16" angle assemblies bolt to the wall and support the entire weight of the door
Standard Material & Finish: Steel with FinalCote powder coating in bronze, gray, tan or white
Optional Material: Stainless steel or Aluminum angles
Temp-Master system includes a thermally broken guide assembly and lintel seal (patent pending).
- **Counterbalance Shaft:** 4 1/2" minimum diameter outer shaft and 1 1/4" minimum inner shaft. This assembly supports the curtain and contains counterbalance torsion springs for assisting operation.
Standard Material: Steel
- **Curtain:** Double skin interlocking roll formed metal slats are filled with 7/8" thick closed cell pressure foamed in place urethane insulation with a Flame Spread Index of 0 and a Smoke Developed Index of 10 as tested per ASTM E84. Curtain assembly materials meet the foam plastic insulation requirements of the 2012 IBC®, section 2603. The slat has an R-value of 8.0 as calculated using the ASHRAE Handbook of Fundamentals. Nylon endlocks prevent wear and enable smooth, quiet operation. The Sound Transmission Class (STC) rating is up to 30 for the curtain and up to 22 for the entire assembly, as tested per ASTM E90, based on testing a complete, operable assembly. STC 32 Superimposed/double insulated curtain assemblies (also available) are tested per ASTM E90, based on testing a complete, operable assembly. **Exterior skin** available in: 24, 22, 20 and 18 ga. galvanized steel with exclusive FinalCote or ColorCote finish; 22 ga. stainless steel, #4 finish; 18 ga. aluminum in mill, clear or color anodized. **Interior skin** available in: 24 ga. galvanized steel with exclusive FinalCote or ColorCote finish, 22 ga. available with 22 ga. exterior skin; 22 ga. stainless steel, #4 finish; 18 ga. aluminum in mill, clear or color anodized.
Standard Material & Finish: Galvanized steel with FinalCote finish in gray, tan or white
Optional Materials: Aluminum, Stainless steel
- **Bottom Bar:** Insulated and equipped with perimeter weather seal, bottom bar mates with curtain face slat, extending insulation to the floor. Lock mechanisms available.
Standard Material & Finish: Mill finish extruded aluminum
Optional Materials: Steel, Stainless steel

Optional Finishes:

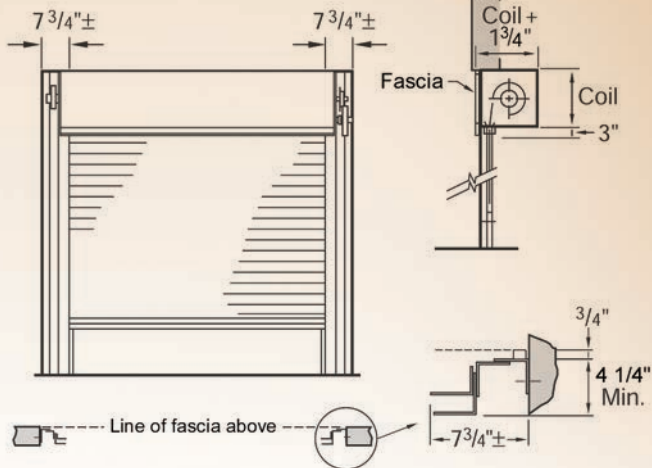
- Aluminum in mill, clear or color anodized
- ColorCote powder coat finish in over 180 colors adds durability and aesthetic value
- Hot-dip galvanizing on steel components
- Stainless steel, 300 series #4 finish
- Zinc Rich Gray corrosion resistant powder coating

TYPICAL DETAILS



Face of Wall

Maintains clearance of full opening, minimal exposed components



Between Jamb

Mounts within the opening, fascia (front hood closure piece) required

Temp-Pro and Temp-Master doors are available to 30" W x 30" H standard construction. For larger openings, consult factory.

COOKSON
THE COOKSON COMPANY, INC.

P.O. Box 23880 • Phoenix, AZ 85063 • Phone: (800) 390-8590 • Fax: (866) 448-6804 • An ISO 9001:2008 Registered Company
Visit Cooksondoor.com or contact Architectural Design Support: ADS@Cooksondoor.com or (800) 390-8590, ext. 1280